

MaxMotion

IEC PERFORMANCE DATA SHEET IEC Efficiency Level IE3

Catalog #: **IJA112M-2-46**

| HP | kW | Voltage | L.R. Amps | Efficiency | Power Factor | Service Factor | Frame | Design |
|------|------|-----------|-----------|------------|--------------|----------------|-------|--------|
| 5,50 | 4,10 | 230 / 460 | 53,54 | 88,5% | 0,88 | 1,15 | 112M | N |

| 60 Hz | | | | | | | | |
|-------|-------|-----|------|-----|-----|-----|-------|----------|
| FLA | | | | | | | Is/In | F.L. RPM |
| 208 | 230 | 333 | 460 | 575 | 796 | 990 | | |
| / | 12,90 | / | 6,45 | / | / | / | 8,3 | 3485 |

| 50 Hz | | | | | | | | |
|-------|------|------|------|-----|-----|------------|-------|----------|
| FLA | | | | | | Efficiency | Is/In | F.L. RPM |
| 190 | 380 | 400 | 415 | 660 | 725 | | | |
| 15,70 | 7,84 | 7,45 | 7,17 | / | / | 88,1% | 8,3 | 2905 |

| Wgt. Lbs | PH | Duty | Insul. Class | Ambient Temp. | Elevation | Temp. Rise° C |
|----------|----|------|--------------|---------------|-----------|---------------|
| 63,9 | 3 | S1 | H | 40°C | 1000 M | 33 |

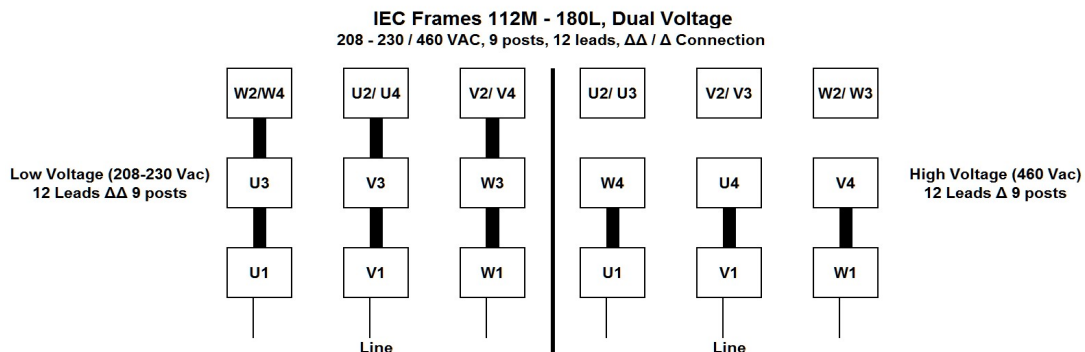
| % Efficiency | | % Power Factor | | Torque | | | Protector Type | Winding Resist. Ω |
|--------------|-------|----------------|------|------------|------|------|----------------|-------------------|
| Full Load: | 88,5% | Full Load: | 0,88 | FLT ft.lbs | 60Hz | 50Hz | | |
| 3/4 Load: | 88,1% | 3/4 Load: | 0,84 | LRT % | 230 | 230 | - | - |
| 1/2 Load: | 86,3% | 1/2 Load: | 0,73 | BDT % | 230 | 230 | - | - |

| Rotor Inertia Wk2 Lb-Ft2 | Max Load Inertia Wk2 Lb-Ft2 | Shaft Material | Frame Material | DE Bracket Type | ODE Bracket Type | Mounting | Enclosure | Protection |
|--------------------------|-----------------------------|----------------|----------------|-----------------|------------------|----------|-----------|------------|
| - | - | Standard | Aluminum | Standard | Standard | B3 | TEFC | IP55 |

| Ball Bearings | | Grease | Mount Type | Orientation | Cold Start (Secs) | Paint |
|---------------|-----------|-----------------|------------|-------------|-------------------|-------|
| DE | ODE | | | | | |
| 6306ZZ-C3 | 6306ZZ-C3 | Sealed Bearings | Rigid | Horizontal | 15 | Red |

| Inverter Duty. Motor meets MG1 parts 31.4.4.2 | Constant Torque Range | Variable Torque Range |
|--|-----------------------|-----------------------|
| | 10:1 | 20:1 |

WIRING CONNECTION DIAGRAM : C

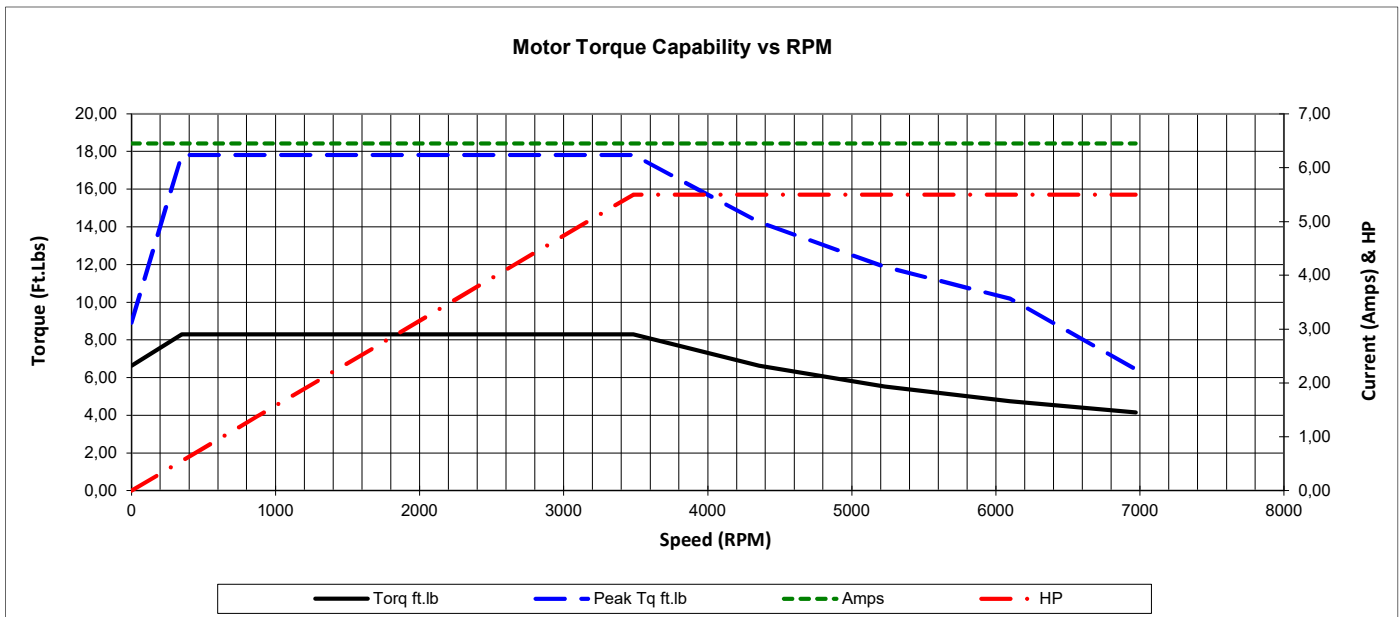
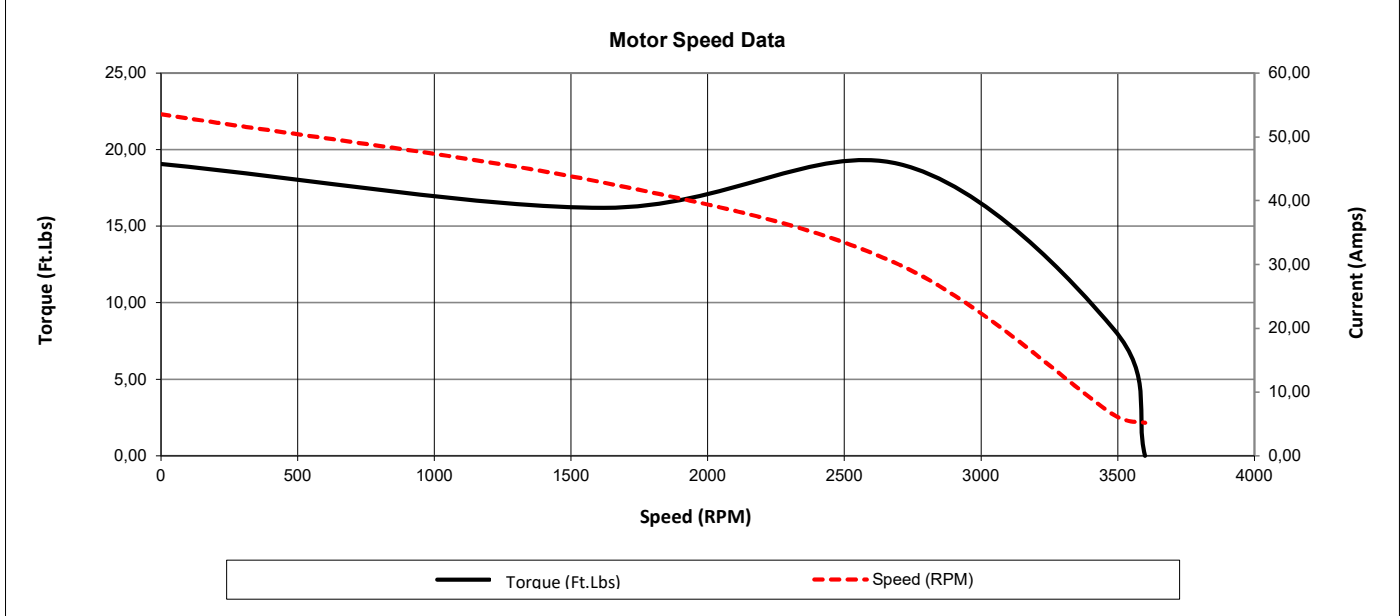




Date: 25 janvier, 2024
Customer: _____
Contact: _____
Submittee: J.C. Lavallée

Catalogue #: IJA112M-2-46

| IEC Efficiency Level IE3 | | | | | | | | | | | |
|--------------------------|--------------|-----------|-----------|------------|-------|--------------------------------------|--------|---------|-----------|------------------|---------------|
| HP | Kw | VAC | RPM | Enclosure | Frame | Frequency | Design | Poles | LR Is/In | Insulation Class | Temp. Rise °C |
| 5,50 | 4,10 | 230 / 460 | 3485 | TEFC | 112M | 60 | N | 2 | 8,3 | H | 33 |
| | 0Hz | 6Hz | 15Hz | 30Hz | 45Hz | 60Hz | 75Hz | 90Hz | 105Hz | 120Hz | |
| Amps | 6,45 | 6,45 | 6,45 | 6,45 | 6,45 | 6,45 | 6,45 | 6,45 | 6,45 | 6,45 | 6,45 |
| RPM | 0 | 349 | 871 | 1743 | 2614 | 3485 | 4356 | 5228 | 6099 | 6970 | |
| Torq ft.lb | 6,63 | 8,29 | 8,29 | 8,29 | 8,29 | 8,29 | 6,63 | 5,53 | 4,74 | 4,14 | |
| Peak Tq ft.lb | 8,91 | 17,82 | 17,82 | 17,82 | 17,82 | 17,82 | 14,26 | 11,88 | 10,18 | 6,45 | |
| HP | 0,00 | 0,55 | 1,38 | 2,75 | 4,13 | 5,50 | 5,50 | 5,50 | 5,50 | 5,50 | |
| | Locked Rotor | Pull-Up | Breakdown | Rated Load | Idle | Duty | S. F. | Ambient | Elevation | dBA @ 1M | |
| Speed (RPM) | 0 | 1620 | 2700 | 3485 | 3600 | S1 | 1,15 | 40°C | 3,300 ft | - | |
| Current (Amps) | 53,54 | 42,83 | 29,98 | 6,45 | 5,21 | VFD Rating: Meets MG1 parts 31.4.4.2 | | | | | |
| Torque (ft-lbs) | 19,06 | 16,20 | 19,06 | 8,29 | 0,0 | CT : | 10:1 | VT : | 20:1 | | |



Date: **25 janvier, 2024**
 Customer: _____
 Contact: _____
 Submittee: **J.C. Lavallée**

Catalogue #: **IJA112M-2-46**

| IEC Efficiency Level IE3 | | | | | | | | | | | |
|--------------------------|------|-----------|------|-----------|-------|-----------|--------|-------|----------|------------------|---------------|
| HP | Kw | VAC | RPM | Enclosure | Frame | Frequency | Design | Poles | LR Is/In | Insulation Class | Temp. Rise °C |
| 5,50 | 4,10 | 230 / 460 | 3485 | TEFC | 112M | 60 | N | 2 | 8,3 | H | 33 |

| Load % | 0% | 25% | 50% | 75% | 100% | 125% | 150% |
|-------------|------|------|------|------|------|-------|-------|
| Amps | 5,21 | 5,21 | 5,71 | 5,95 | 6,45 | 7,44 | 9,43 |
| Torq ft/lbs | 0 | 2,02 | 4,08 | 6,17 | 8,29 | 10,80 | 13,88 |
| RPM | 0 | 3571 | 3543 | 3514 | 3485 | 3342 | 3123 |
| Eff % | 0 | 64,6 | 86,3 | 88,1 | 88,5 | 86,2 | 79,2 |
| PF % | 0 | 40,2 | 73,0 | 84,0 | 88,0 | 90,6 | 92,4 |

| | Locked Rotor | Pull-Up | Breakdown | Rated Load | Idle | Duty | S. F. | Ambient | Elevation | dBA @ 1M |
|-----------------|--------------|---------|-----------|------------|------|--------------------------------------|-------|---------|-----------|----------|
| Speed (RPM) | 0 | 1620 | 2700 | 3485 | 3600 | S1 | 1,15 | 40°C | 3,300 ft | - |
| Current (Amps) | 53,54 | 42,83 | 29,98 | 6,45 | 5,21 | VFD Rating: Meets MG1 parts 31.4.4.2 | | | | |
| Torque (ft-lbs) | 19,06 | 16,20 | 19,06 | 8,29 | 0,0 | CT : | 10:1 | VT : | 20:1 | |

